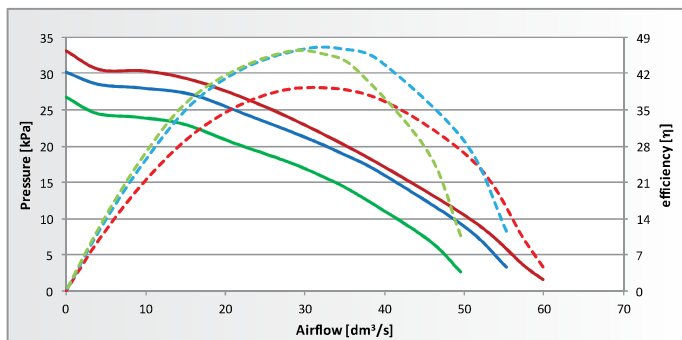
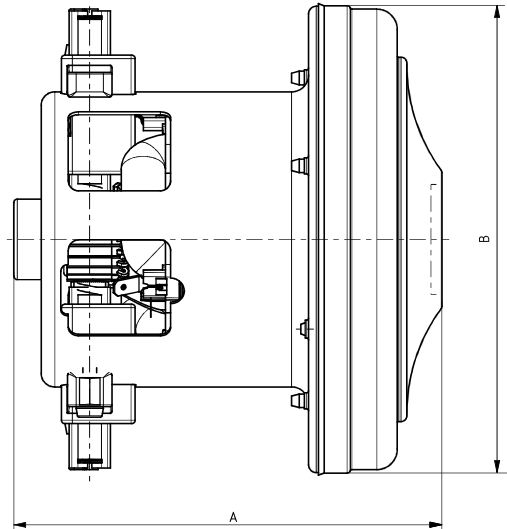


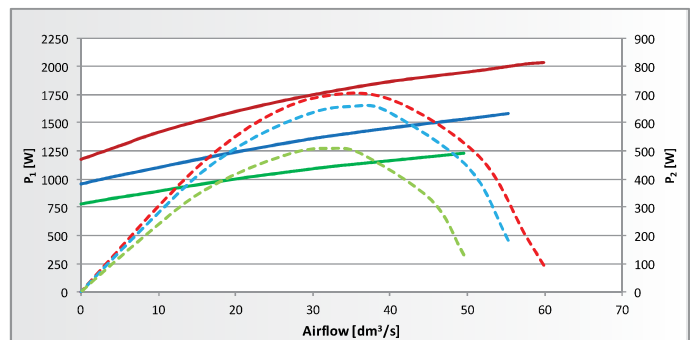
SERIES 462 VACUUM MOTORS FOR DRY APPLICATIONS

The series 462 vacuum motors for dry applications are mounted in a metal chassis. With their robust construction, they can be used for a broad spectrum of tasks. The external diameter of the chassis is 135 mm, with voltages from 12 V to 240 V and

a maximum power of 2200 W. Their brushes can be replaced, enabling a highly affordable extension of their life-span. These motors are characterised by their reliability and the tried and proven materials.



— 2000 W — 1600 W — 1200 W



- - - 2000 W - - - 1600 W - - - 1200 W

Max. Power W	Nominal Power W	Vacuum		Airflow		Air power W	Efficiency %	Mass kg	Voltage V	Frequency Hz	Code	A	B
		kPa	inH ₂ O	dm ³ /s	CFM							mm	mm
2200	1900	32,9	132,2	55	116,5	730	39	1,68	240	50	462.3.653	125,6	137
2000	1800	31,5	126,6	57	120,7	655	37	1,70	230	50	462.3.651-9	125,6	137
1700	1550	31,8	127,8	48	95	635	43	1,63	230	50	462.3.560-3	125,6	137
1600	1450	27,7	111,3	53	112,3	610	44	1,60	230	50	462.3.560-10	125,6	137
1550	1400	28,0	112,5	45	95,3	500	39	1,53	220-230	50/60	462.3.451-5	125,6	137
1450	1350	27,8	111,7	52	110,2	570	45	1,58	230	50	462.3.451-16	125,6	137
1300	1250	26,5	106,5	54	114,4	520	44	1,53	230	50	462.3.451-17	125,6	137
1200	1100	25,4	102,1	47	99,6	470	44	1,47	230	50	462.3.356-2	125,6	137
1200	1050	24,1	96,8	47	99,6	455	44	1,55	120	60	462.3.457-9	125,6	137